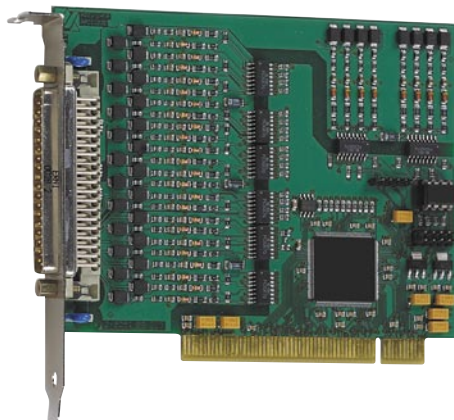


Digital input board, optically isolated, 32 digital inputs, 24 V / 5 V



PCI 32-bit



LabVIEW™



LabWindows/CVI™



Features

- 32 optically isolated digital inputs, 24 V (APCI-1032) or as 5 V version (APCI-1032-5) including 16 interruptible inputs

Safety features

- Optical isolation 1000 V
- Creeping distance IEC 61010-1
- Reverse voltage protection
- All inputs are filtered
- Protection against fast transients (burst), overvoltage, electrostatic discharge and high-frequency EMI
- Additional noise suppression on the interrupt lines

Applications

- Industrial I/O control
- Signal switching
- Interface to electromechanical relays
- Automatic test equipment
- ON/OFF monitoring of motors, lights...
- Machine interfacing
- ...

APCI-1032 / APCI-1032-5

32 digital inputs, 24 V or 5 V,
including 16 interruptible inputs

Optical isolation 1000 V

Input filters

Reverse voltage protection

Software drivers

A CD-ROM with the following software and programming samples is supplied with the board.

Standard drivers for:

- Linux
- 32-bit drivers for Windows 8 / 7 / Vista / XP / 2000
- Signed 64-bit drivers for Windows 8 / 7 / XP
- Real-time use with Linux and Windows on request
- RTX drivers (real-time)

Drivers and samples for the following compilers and software packages:

- .NET
- Microsoft VC++ • Borland C++
- Visual Basic • Delphi
- LabVIEW • LabWindows/CVI • DIAdem

ADDIPACK functions:

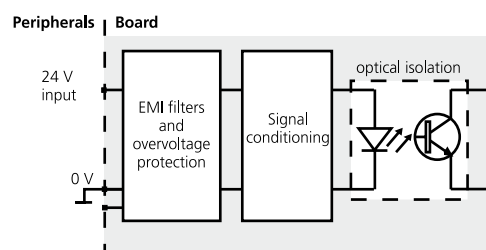
Digital input

On request:

Further operating systems, compilers and samples.

Driver download: www.addi-data.com/downloads

Protective circuit for the input channels



Specifications

Digital inputs

Number of inputs:	32	
Optical isolation:	through opto-couplers, 1000 V from PC to peripherals	
Interruptible inputs:	16 (input 0 to 15)	
Interrupt compare logic:	AND and OR mode	
Nominal voltage:	24 V (APCI-1032);	5 V (APCI-1032-5)
Input current at U nominal:	5 mA (24 V),	6 mA typ. (5 V)
Logic input levels:	U nominal: 24 V	U nominal: 5 V
UH max.:	30 V/current 7.3 mA typ.	6 V/8.4 mA typ
UH min.:	19 V/current 3.2 mA typ.	4 V/4 mA typ.
UL max.:	14 V/current 1.3 mA typ.	2 V/0.7 mA typ.
UL min. at nominal voltage:	0 V/current 0 mA typ.	
Signal delay:	70 µs	
Maximal input frequency:	5 kHz at nominal voltage	

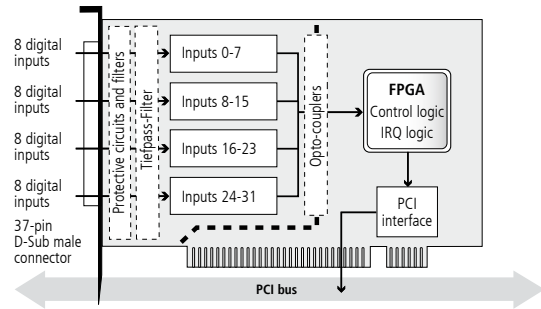
EMC – Electromagnetic compatibility

The product complies with the European EMC directive. The tests were carried out by a certified EMC laboratory in accordance with the norm from the EN 61326 series (IEC 61326). The limit values as set out by the European EMC directive for an industrial environment are complied with. The respective EMC test report is available on request.

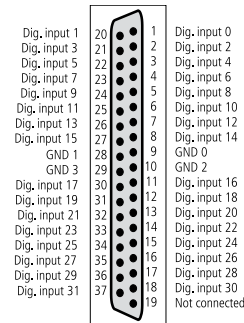
Physical and environmental conditions

Dimensions:	131 x 99 mm	
System bus:	PCI 32-bit 5 V acc. to specification 2.1 (PCISIG)	
Space required:	1 PCI slot	
Operating voltage:	+5 V, ± 5 % from the PC	
Max. current consumption:	(+5 V from the PC) 140 mA ± 10 %	
Front connector:	37-pin D-Sub male connector	
Temperature range:	0 to 60 °C (with forced cooling)	

Simplified block diagram



Pin assignment – 37-pin D-Sub male connector

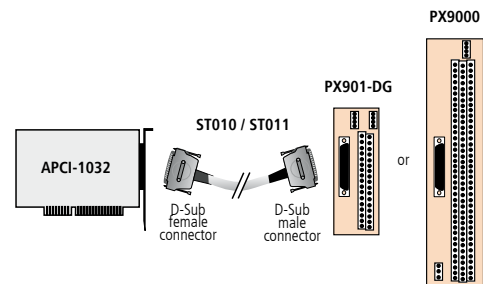


APCI-1032

Screw terminal panels PX9000 and PX901-DG with cable ST010



ADDI-DATA connection for the APCI-1032



(without illustration: The APCI-1032-5 can only be connected to the PX901-ZG)

Ordering information

APCI-1032 / APCI-1032-5

- APCI-1032:** Digital input board, optically isolated, 32 digital inputs, 24 V. Incl. technical description and software drivers
APCI-1032-5: Digital input board, optically isolated, 32 digital inputs, 5 V. Incl. technical description and software drivers

Accessories for the APCI-1032

- PX901-D:** Screw terminal panel, LED status display
PX901-DG: Screw terminal panel, LED status display, for DIN rail
PX9000: 3-row screw terminal panel for DIN rail, LED status display
ST010: Standard round cable, shielded, twisted pairs, 2 m
ST011: Standard round cable, shielded, twisted pairs, 5 m

Accessories for the APCI-1032-5

- PX 901-ZG:** Screw terminal panel, for DIN rail
ST010: Standard round cable, shielded, twisted pairs, 2 m
ST011: Standard round cable, shielded, twisted pairs, 5 m